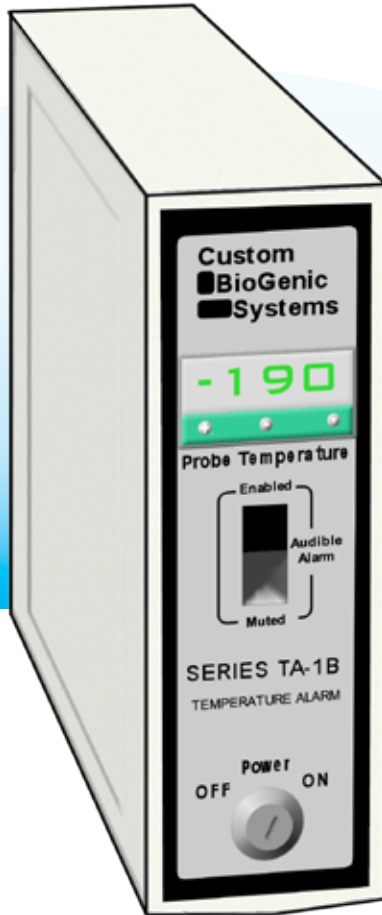


TA-1B

TEMPERATURE ALARM

SET-UP AND TECHNICAL MANUAL



Custom
BioGenic
Systems

www.custombiogenics.com

150 Shafer Drive ♦ Romeo, MI 48065 ♦ USA

1.800.523.0072 ♦ Tel: 1.586.331.2600 ♦ Fax: 1.586.331.2588

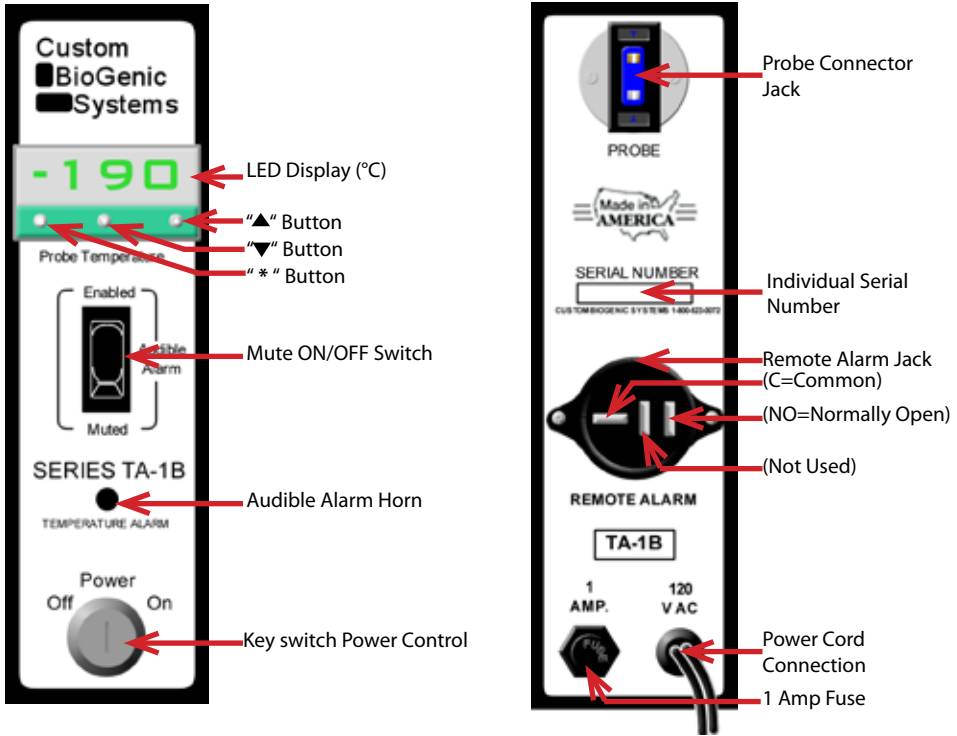


Leading the World with Innovative Cryopreservation Technology Solutions

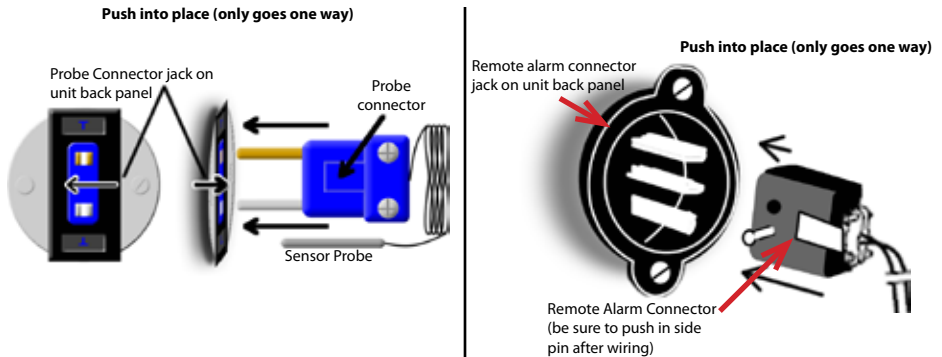
- BEFORE USE -

Caution: Do not plug in the AC power plug before completing initial set-up. Check to see that all parts are accounted for and are damage-free.

- PARTS IDENTIFICATION -



- CONNECTIONS -



- PROGRAMMING THE VALVE TIMER -

1. Place probe in desired location.

Note: It is extremely important for proper operation, that the sensor probe is positioned in an area where an alarm condition would be detectable.

2. Plug probe connector into the corresponding jack on the unit back panel (see illustration on page 1).
3. Plug power cord into a wall socket (120 V AC/properly grounded).
4. Turn key switch to the ON position (probe temperature display will light-up and go through self-diagnostic mode).
5. Current probe temperature will be displayed on the LED readout.
6. During initial setup audible alarm may be muted.

- PROGRAMMING THE ALARM SET POINT -

Refer to the Parts Identification section on page 1 for proper button I.D.

1. Press and hold down the * button.
2. Press the "▲" button (while holding "*") to increase set point temperature.
3. Press the "▼" button (while holding "*") to decrease the set point temperature.

- TROUBLESHOOTING GUIDE -

Use this chart to help correct any problems you may encounter. If further assistance is needed, contact your Custom Biogenic Systems representative.

CONDITION	CAUSE	SOLUTION
♦ No lights	<ul style="list-style-type: none"> ♦ Blown fuse ♦ No power to controller ♦ ON/OFF switch is in OFF position 	<ul style="list-style-type: none"> ♦ Replace with one amp fuse ♦ Power cord not plugged in ♦ Check for live power source ♦ Turn switch to the ON position
♦ LED display flashing FAIL and INPT alternately	<ul style="list-style-type: none"> ♦ Probe plug is disconnected ♦ Probe is damaged 	<ul style="list-style-type: none"> ♦ Connect probe plug properly ♦ Replace probe assembly
♦ LED display flashing: -AL- and current temperature alternately, and no audible alarm heard	<ul style="list-style-type: none"> ♦ Alarm condition is present, but "mute" switch is in mute position 	<ul style="list-style-type: none"> ♦ Move the mute switch to the ON position ♦ Correct the alarm condition

AVAILABLE FROM CBS

Liquid Nitrogen Equipment Including:

- Freezers & Dewars**
- Controlled Rate Freezing Systems**
- Freezer Racks and Boxes**
- Transfer Lines**
- Solenoid Valves**
- Liquid Level & Temperature Alarms**
- Liquid Level & Temperature Controls**
- Temperature Recorders / Monitors**
- Cryogenic Accessories**



**Custom
BioGenic
Systems**

**150 Shafer Drive
Romeo, Michigan 48065 U.S.A.**

TA1B.TM0609

Revision: A

© 2005 Custom BioGenic Systems

All designs and materials contained herein are protected under Federal copy right law. Unauthorized distribution or use will be subject to prosecution to the fullest extent of the law.